

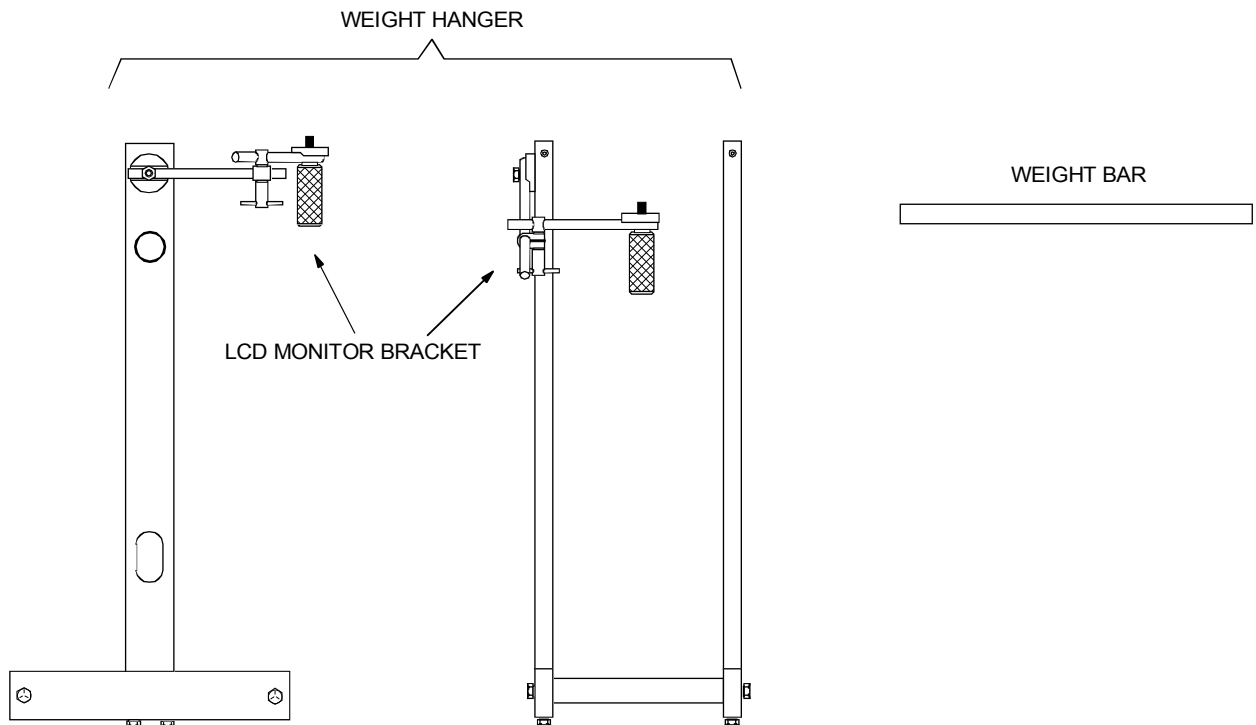
## WEIGHT HANGER

Dec 02

If you are missing any of the following items contact Stanton Video immediately (602) 493-9505

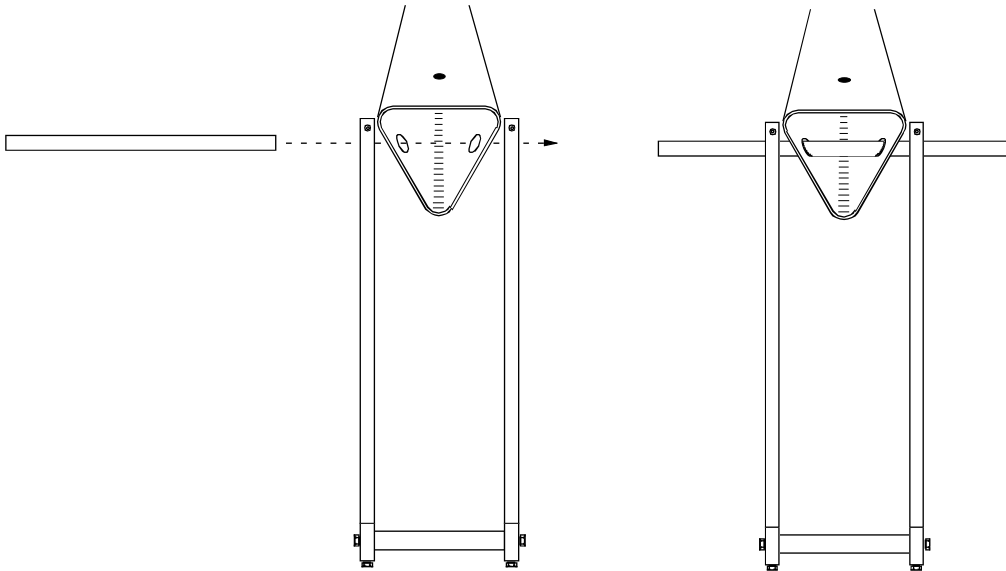
The Weight Hanger and Monitor Bracket are assembled into one unit at the factory.

1. Weight Hanger
2. LCD Monitor Bracket
3. Weight Bar

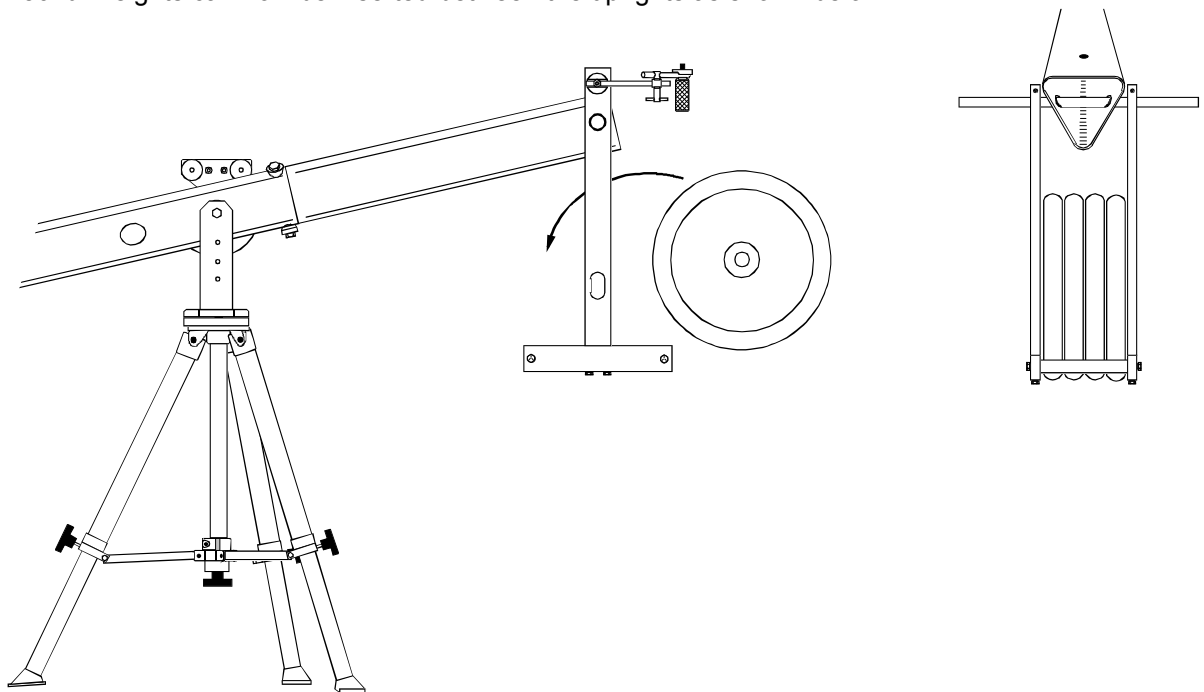


## WEIGHT HANGER MOUNTING

1. Insert the Weight Bar through the Uprights and the rear tube

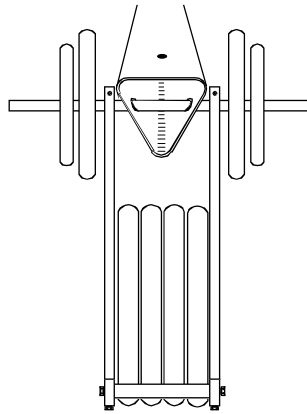


2. Four 50 lb. weights can now be inserted between the uprights as shown below.

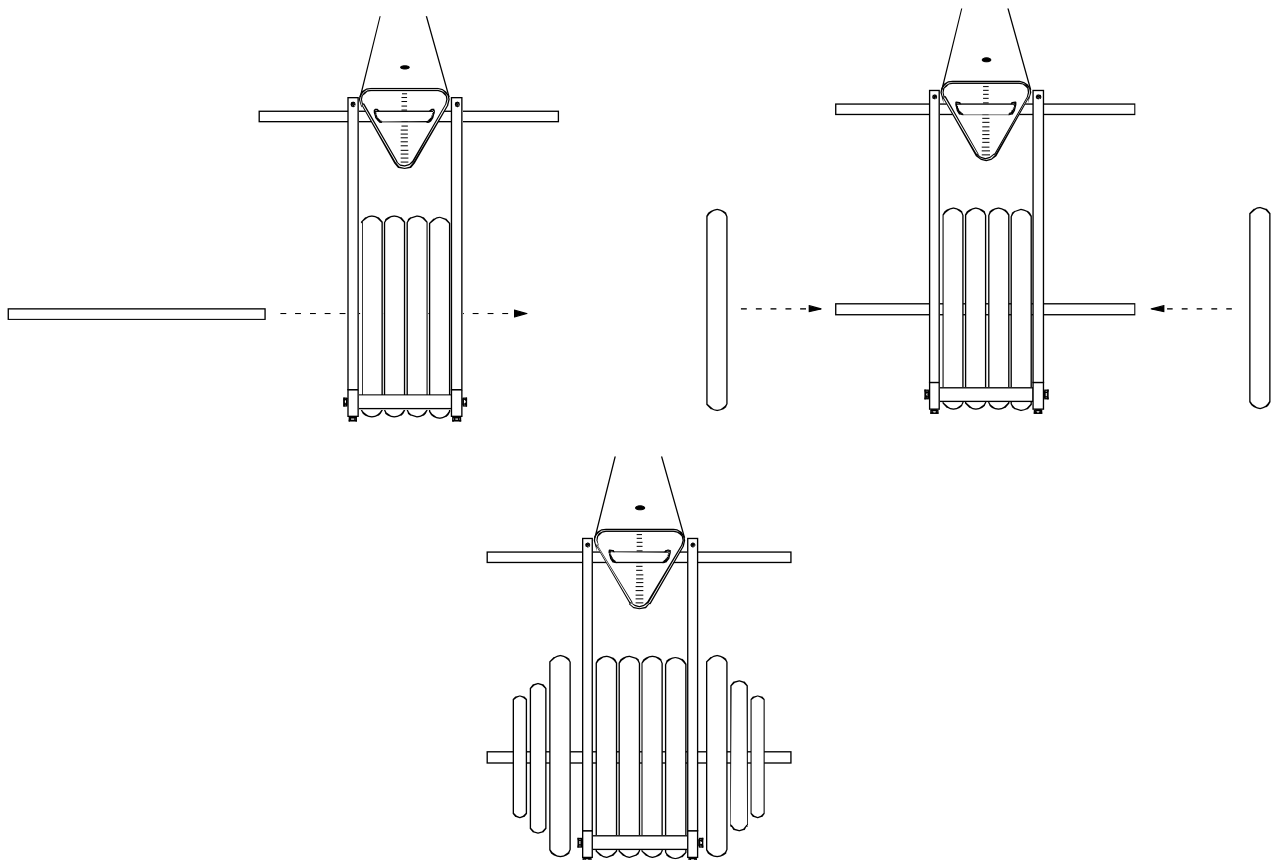


3. It is possible to hang the weights in several different configurations.

The easiest configuration is to place 4 50lb plates between the uprights and the remaining weights on the regular weight bar.



If you wish to place all the weights on the bottom bar the most compact configuration is to insert the second weight bar through the uprights and the weights as shown below. In order to accomplish this the center holes of the plates must be in alignment.



# WEIGHT HANGER ASSEMBLY

