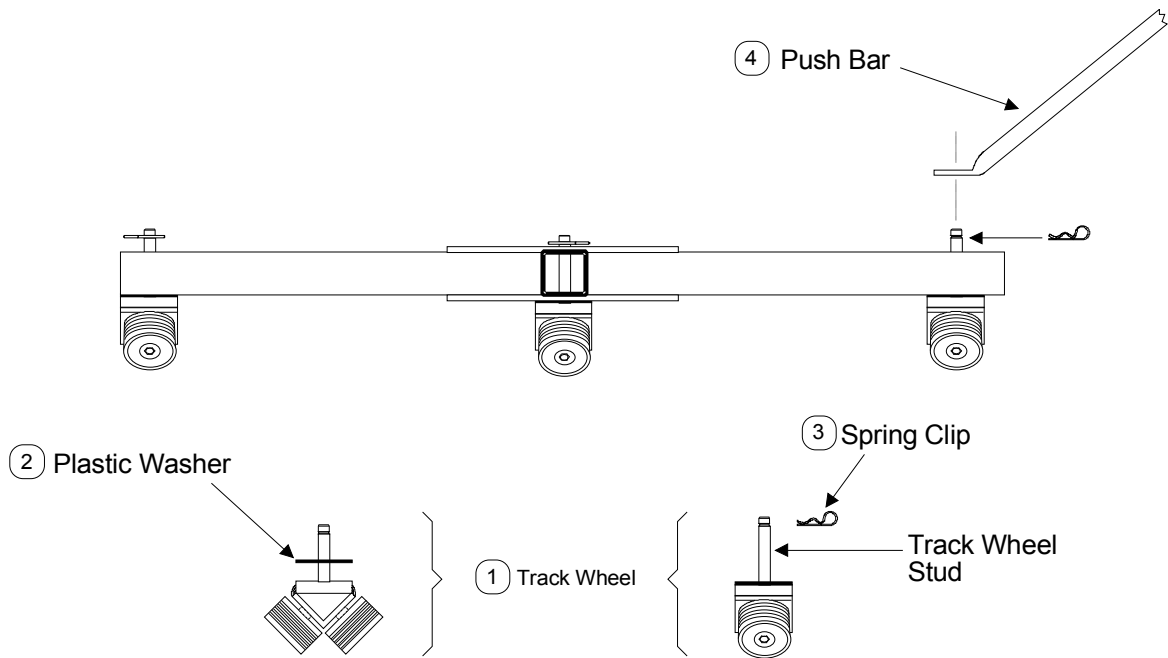


## TRACK WHEELS

MAR95

If you are missing any of the following items, please contact Stanton Video immediately (602) 493-9505

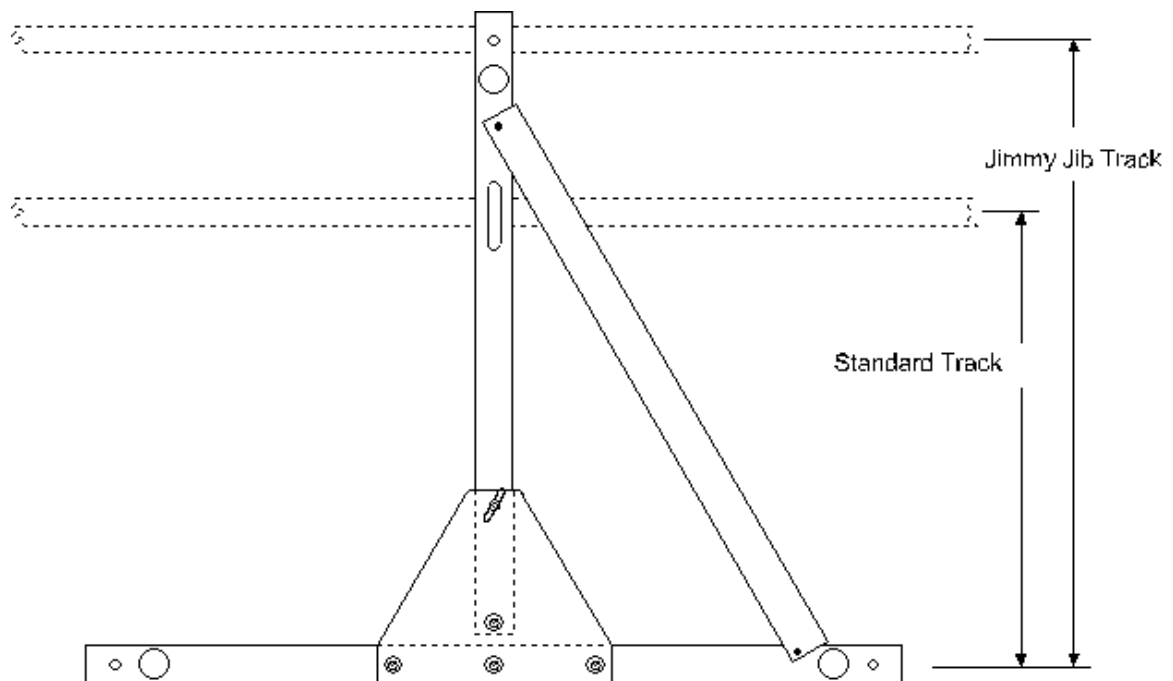
1. Track Wheel (3)
2. Plastic Washer (3)
3. Spring Clip (3)
4. Push Bar



### Assembly:

1. Insert the Track Wheel Stud up through the Wheel Stud Hole in the dolly frame. Make sure the plastic washer is between the frame and the track wheel. No washer goes on top.
2. Secure the Track Wheel to the Dolly with a Spring Clip. Repeat the procedure for the remaining Track Wheels.
3. Attach the push bar to the dolly by removing the Spring Clip from the Track Stud and slipping the grommet end of the bar over the stud. Reconnect the Spring Clip.

4. Place the dolly on the track. If you are using 24 inch. wide track, move the wheel on the Swing Tube to the slotted position.
5. When using curved track make sure the Swing Tube points to the inside of the curve. If it points to the outside the dolly may derail.



**ALWAYS SAND BAG BOTH ENDS OF THE TRACK.** It is very easy to concentrate so much on the shot that you roll the dolly off the track, with possible bodily harm or equipment damage as a result. Also make sure an observer is present to monitor the dolly's position, as ramming the sand bags may cause the dolly to derail.

If you are changing wheels, you must pull the jib off the tripod before trying to make the switch. The weight of the jib makes changing wheels clumsy and dangerous without first removing the jib.