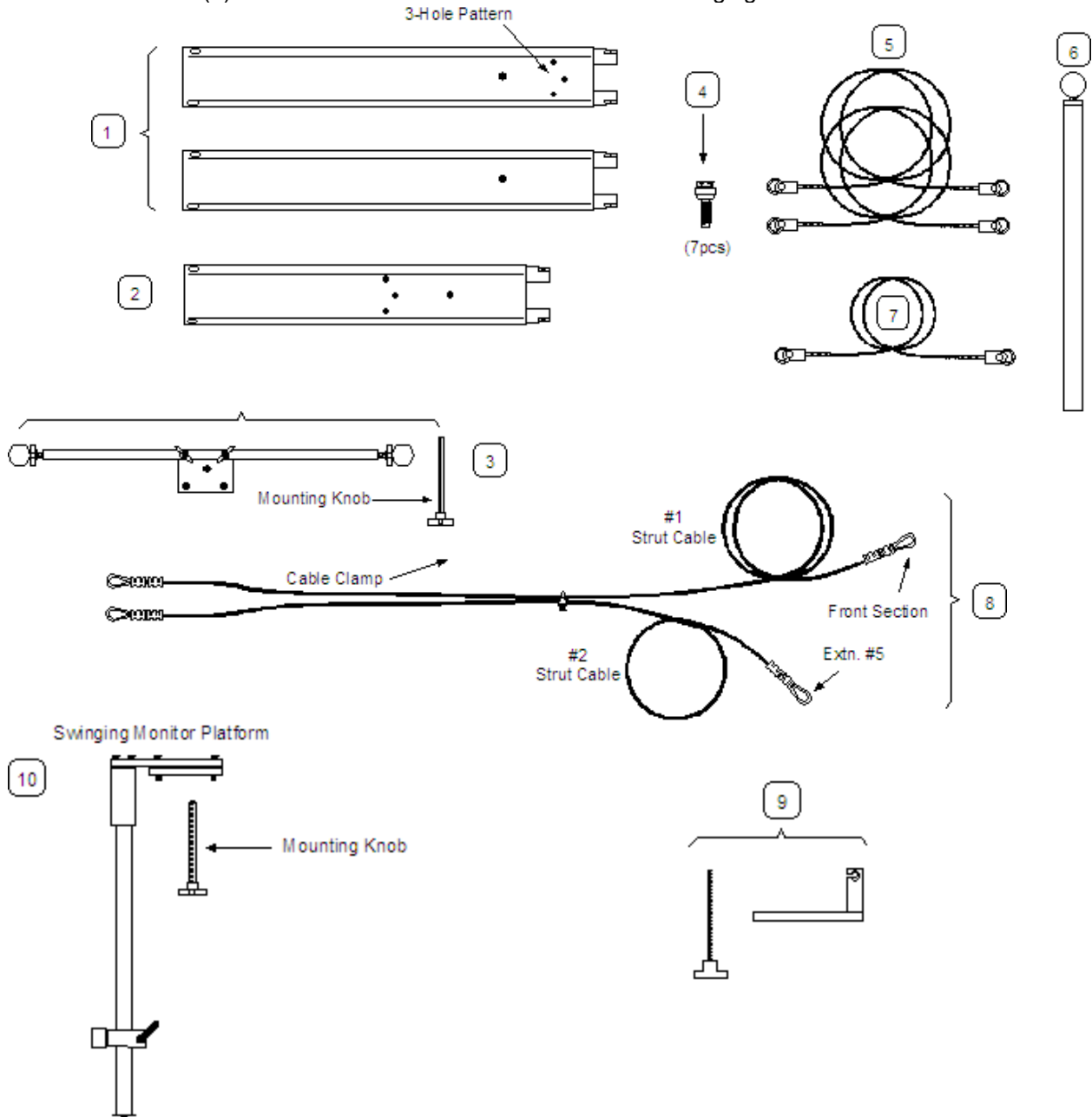


EXTREME KIT

July 97

If you are missing any of the following items contact Stanton Video immediately. (602) 493-9505

- | | |
|------------------------|-------------------------------|
| 1. Extension Tubes (2) | 6. Extreme Strut |
| 2. Rear Extension | 7. Pulley Cable |
| 3. Side Strut Assembly | 8. Strut Cable |
| 4. Tapered Plugs (9) | 9. Cable Stabilizer |
| 5. Side Cables (2) | 10. Swinging Monitor Platform |



JIB ASSEMBLY

MAXIMUM CAMERA WT 50 lbs, 22.7 kg

NEVER USE THE TRIPOD ON A SMOOTH SURFACE WITHOUT THE DOLLY. DOING SO WILL PUT SIDE STRESS ON THE LEGS & CASTINGS, POSSIBLY CAUSING A TRIPOD FAILURE.

1. Insert the Giant, Super and Super Plus Extensions into the Jib Center Section.

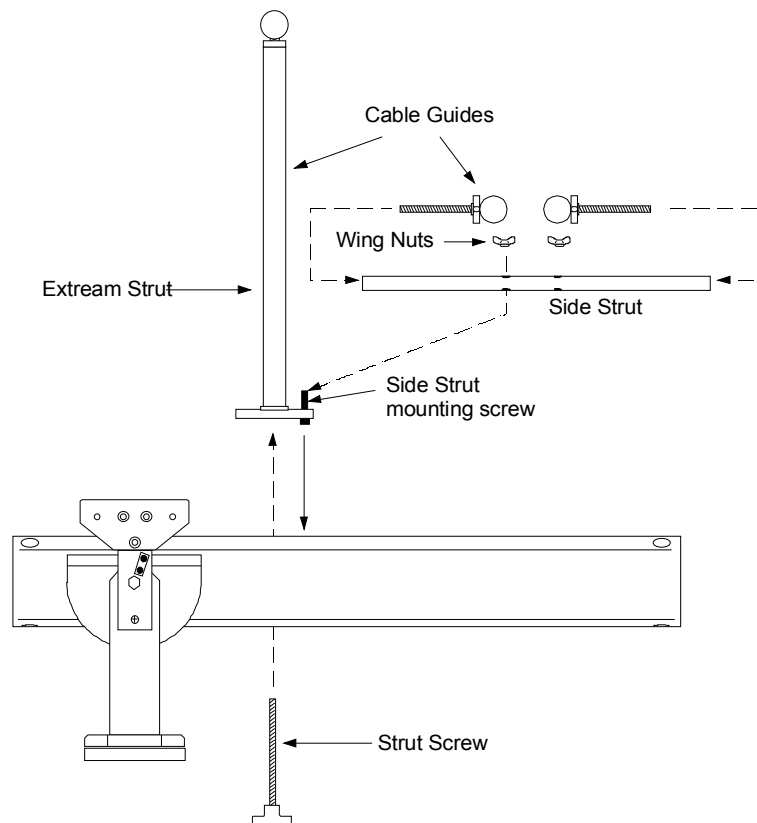
Note: Make sure the Extension with the 3 hole pattern is the 5th tube from the Center Section

3. Now add the Front Section and attach the Pulley Cable
3. Insert Two Rear Extension Tubes into the Center Section and then add the Rear Section

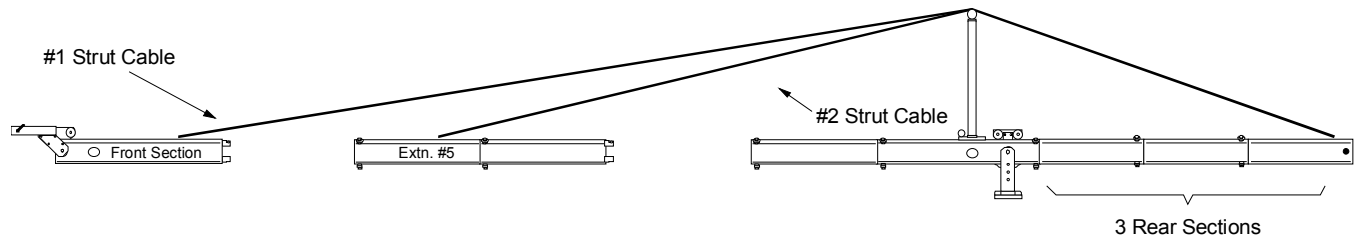
STRUT CABLE

Note: The Extreme Kit does not include the turnbuckle for the intermediate cable, shackles, carabiners or eyebolts. Use the hardware included in the Super kit.

1. The Extreme Strut is installed just forward the pedestal. The Side strut can then be attached to the Side Strut Mounting Screws using the Wing Nuts. The Side Struts are always used on the Extreme.



2. Attach the #1 and #2 cables to the front of the Jib, and run them over the top of the Giant Strut.
3. Attach the Eye Bolt into the Rear Section. This is facilitated by lifting the rear section with one hand as you insert the Eye Bolt.

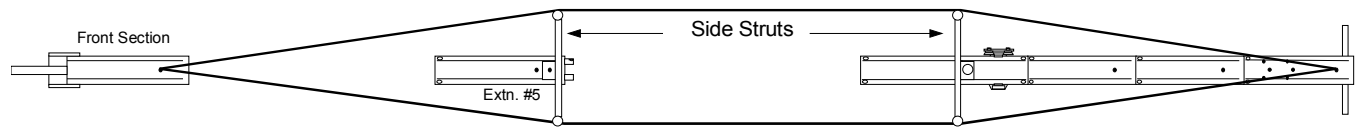


SIDE STRUTS

1. Install the Side Struts as shown in the diagram below.

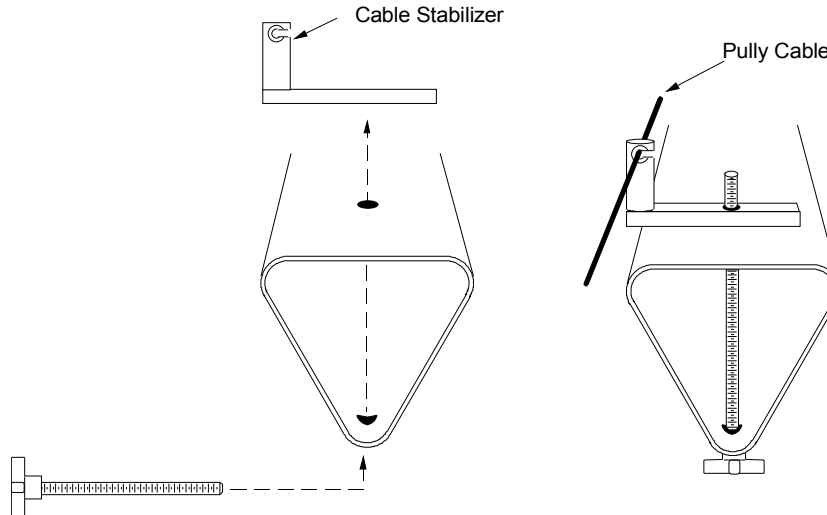
Note: To install the Side Cables easily, place your back against the jib for more leverage and then push out on the cable to place them in the Cable Guide. Do not be alarmed if the cables seem a bit short when you first install them. They are set up on the "tight side" intentionally to compensate for cable stretch.

2. Make sure the front strut is attached to the fifth extension; the same extension as the strut cable.



CABLE STABILIZER

At this length of Jib it is necessary to add a second Cable Stabilizer. The stabilizer is attached to the Jib by using the 5/8" holes in the extensions and are placed approximately 1/3 from the front and 1/3 from the pedestal.



SWINGING MONITOR PLATFORM

Because of the length of the Rear Section it is necessary to move the monitor from the Pedestal to a location on the rear tubes. This is accomplished with the Swinging Monitor Platform.

