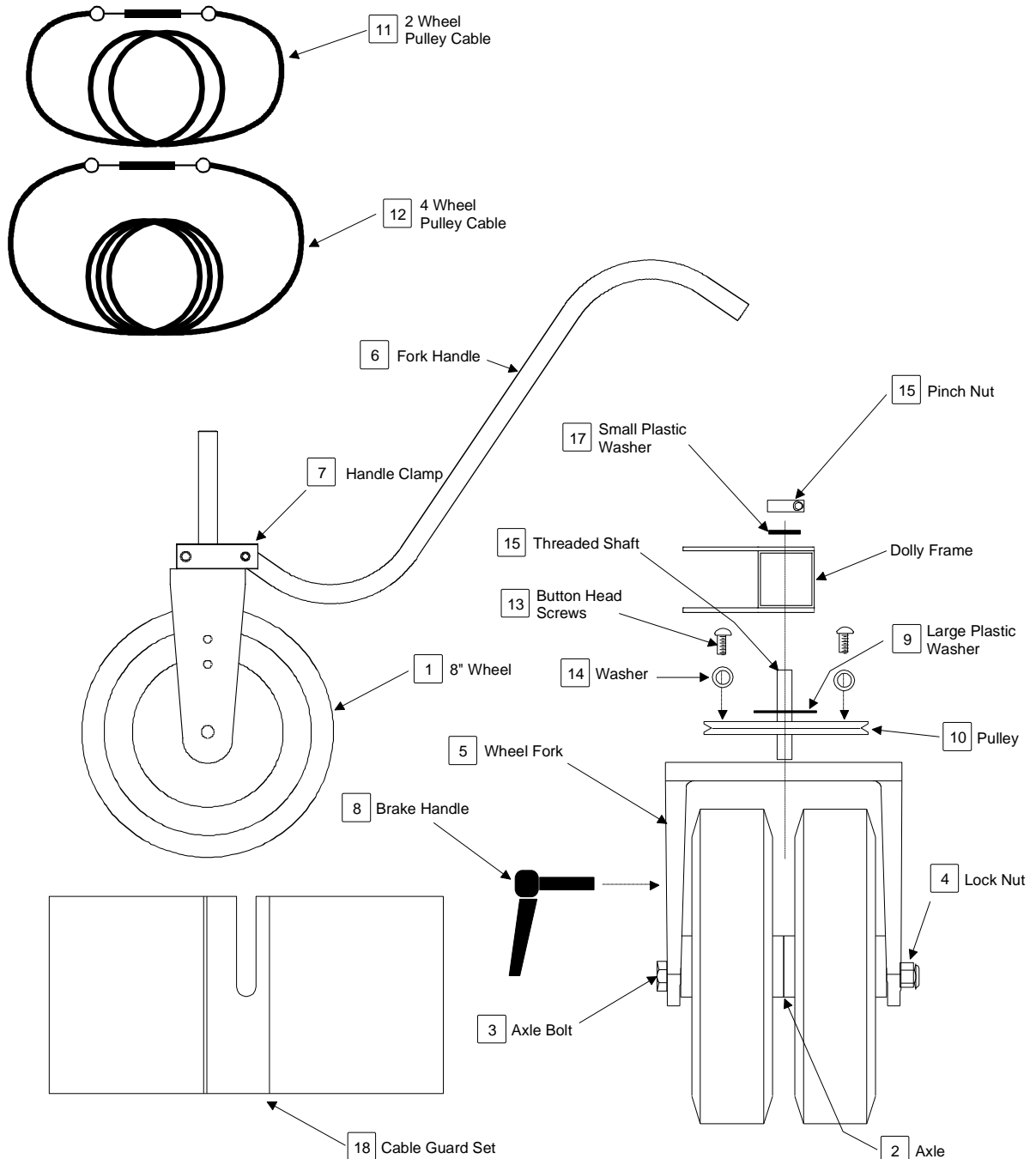


4 WHEEL CRAB DOLLY

NOV17

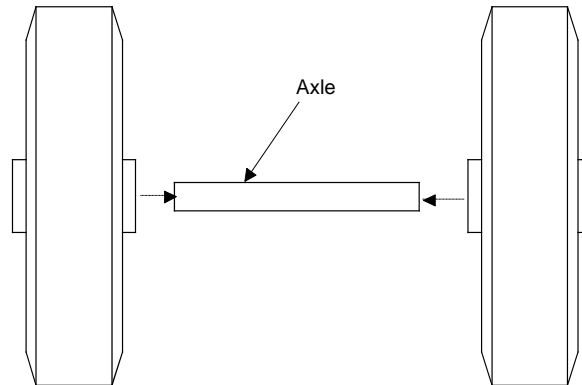
If you are missing any of the following items, please contact Stanton Video immediately 602-493-9505

- | | |
|-----------------------------|------------------------------|
| 1. 8" Wheels (8) | 10. Pulleys (4) |
| 2. Axle (4) | 11. 2 Wheel Pulley Cable (1) |
| 3. Axle Bolt (4) | 12. 4 Wheel Pulley Cable (1) |
| 4. Lock Nuts (4) | 13. Button Head Screws (8) |
| 5. Wheel Fork (4) | 14. Washers (4) |
| 6. Fork Handle (1) | 15. Threaded Shaft (4) |
| 7. Handle Clamp (1) | 16. Pinch Nuts (4) |
| 8. Brake Handle (4) | 17. Small Plastic Washer (4) |
| 9. Large Plastic Washer (4) | 18. Cable Guard Sets (4) |

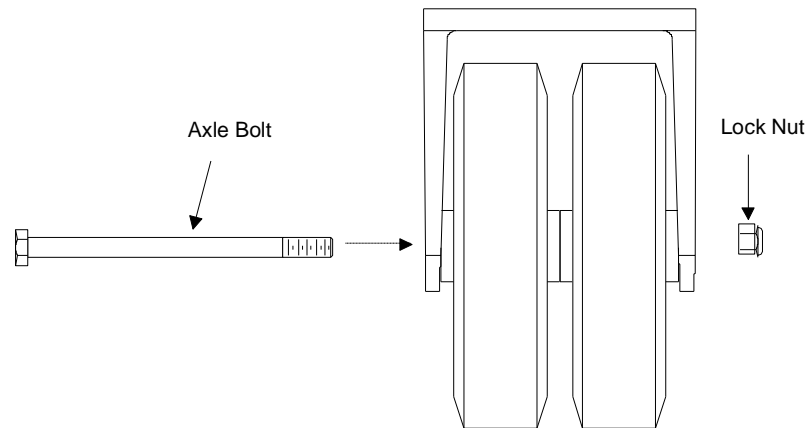


WHEEL ASSEMBLY

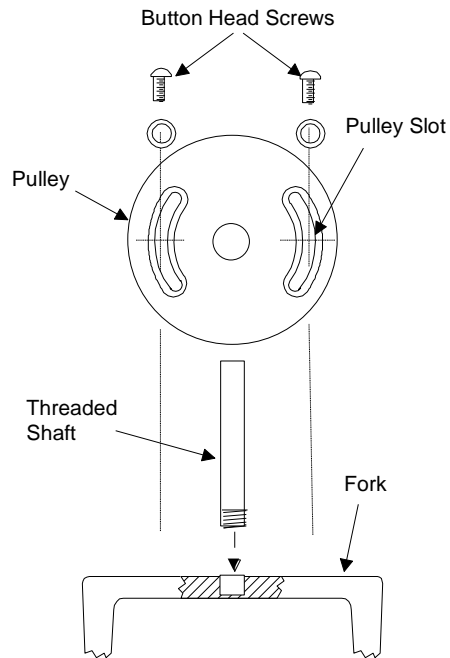
1. Slide the Wheels onto the Axle.



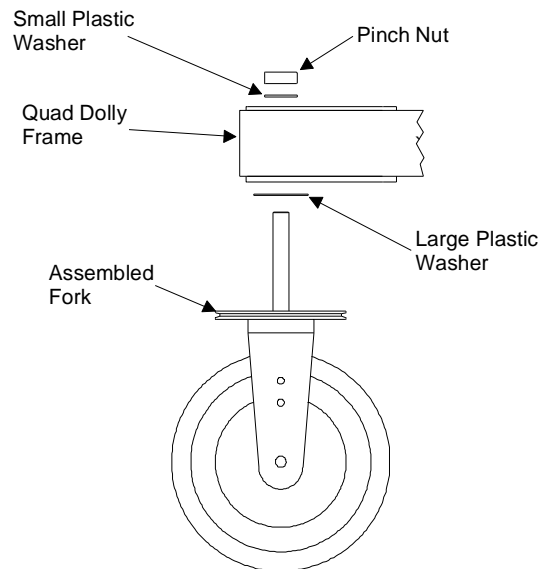
2. Insert the Wheels and Axle between the Forks and secure with the Axle Bolt.



3. Screw the Threaded Shaft into the fork.
4. Mount the Pulley using the Threaded Shaft as a guide and fasten in place with the Button Head Screws. The screws should be centered in the Pulley Slots.

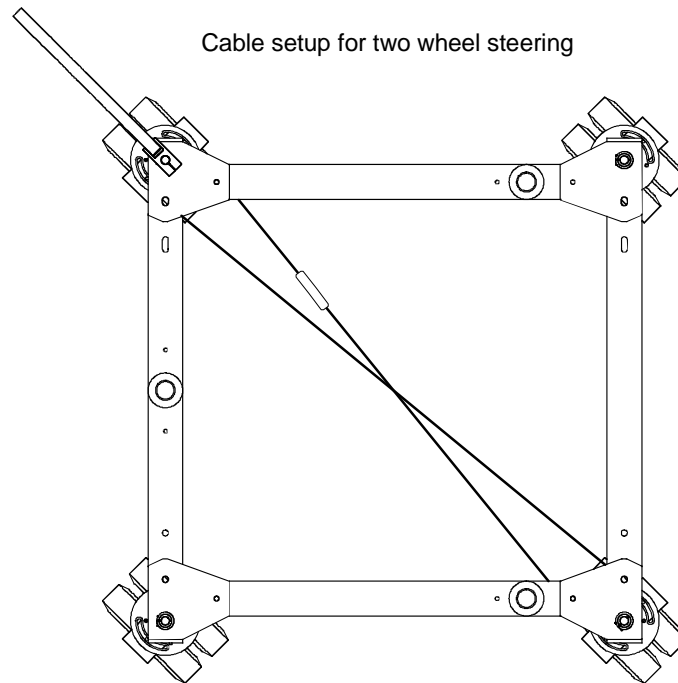


7. Install Fork to Dolly Frame Sliding the Threaded Shaft through the frame. The Steerable Fork can be placed in any of the four wheel locations.
8. Tighten the Pinch Nut against the Small Plastic Washer. This washer locks the Swivel Bolt to the Dolly Frame and prevents the shaft from turning when the wheels are "crabbed".
9. Tighten the Pinch Nut Screw. This screw **Must Be Tightened**,

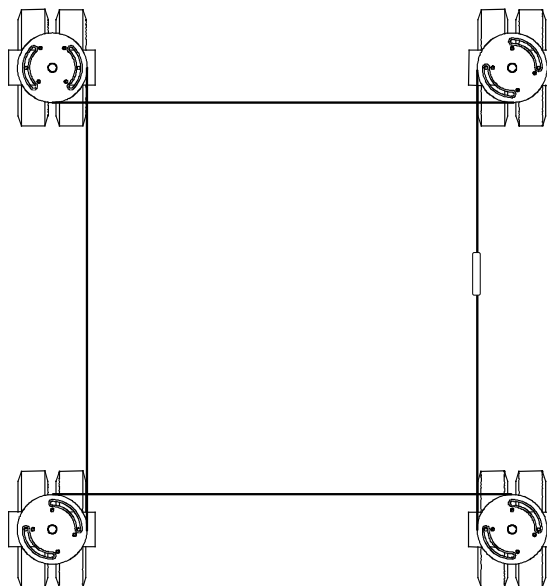


CABLE ASSEMBLY

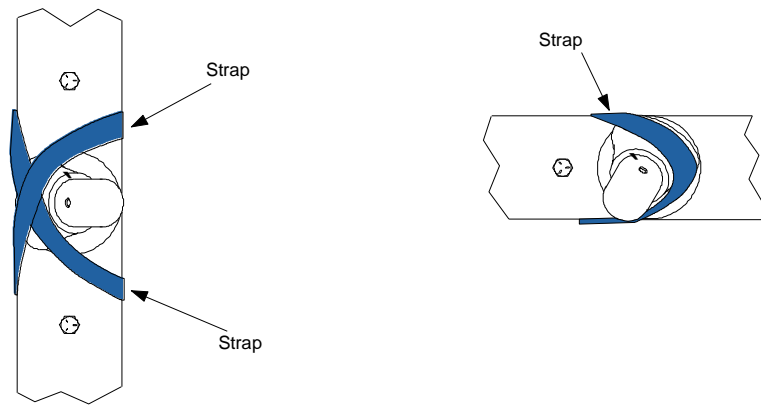
1. Align the Dolly Wheels.
2. String the Pulley Cable as shown in the drawing.
3. Tighten the Turnbuckle. This will probably cause the wheels to become misaligned.
4. By loosening the Button Head Screws the wheels can now be realigned.



Cable setup for four wheel steering



STRAP POSITIONING



CABLE GUARDS

1. The Cable Guards should be installed before the Jib is installed onto the Dolly
2. Attach each Cable Guard set by fastening the two halves together with the screw and nut provided.
3. Loosen the axle bolt and slide the guards onto the bolt.
4. Adjust the Cable Guards high enough to miss any cracks or uneven areas in the floor. Make sure the are guards are low enough to catch the smallest cable.

WARNING -- Improper adjustment of the Cable Guards could result in either missing a cable or running a guard into an uneven floor tile or some other imperfection in the dolly runway. This could result is upsetting the entire Jib Arm.

