

12 METER KIT

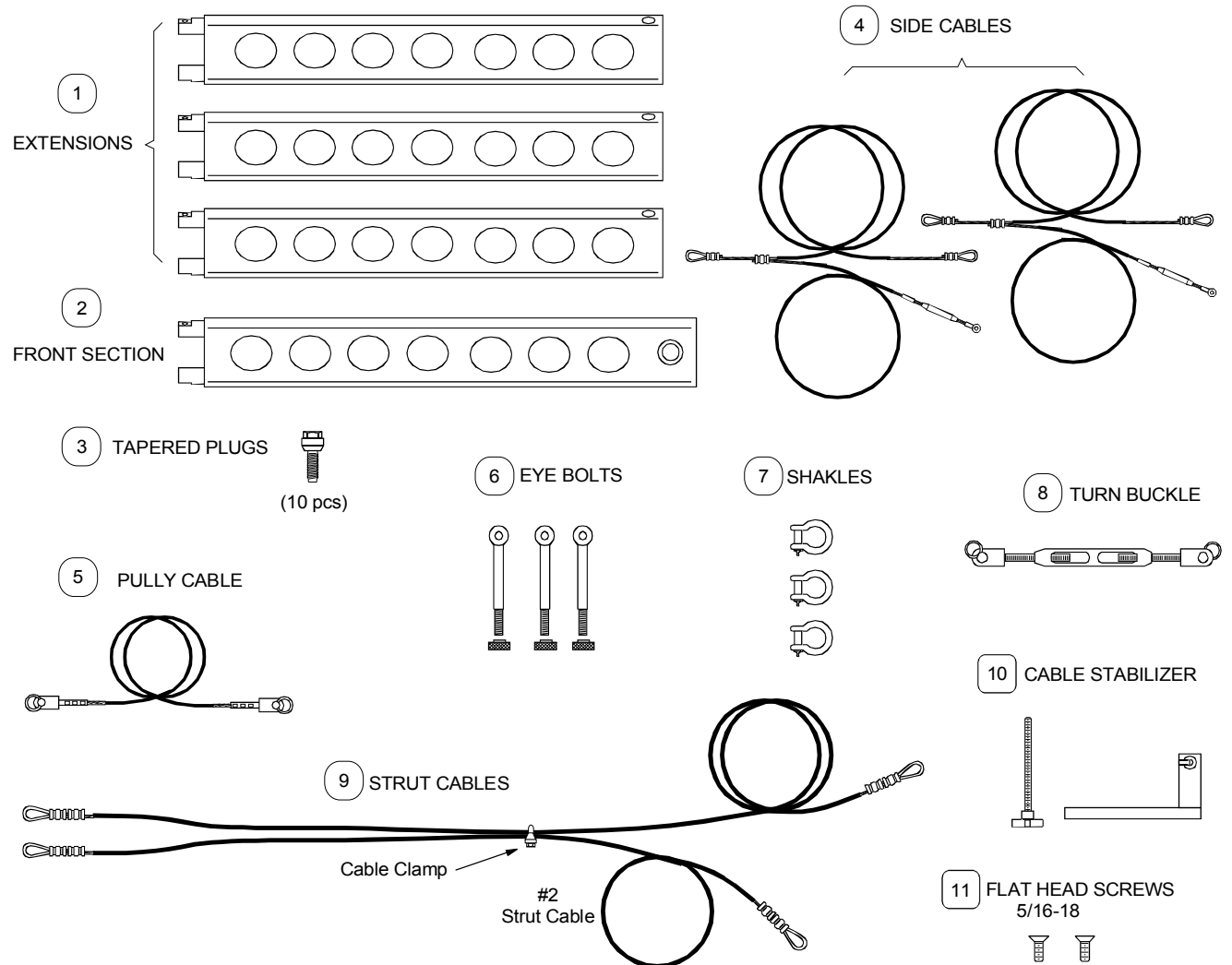
March 02

If you are missing any of the following items contact Stanton Video immediately. (602) 493-9505

ABSOLUTE MAXIMUM CAMERA WT 25 lbs - 11.3 kg

ALWAYS use the 12 Meter Jib with the large **4 WHEEL DOLLY**. This increases the platform base and stability required for a jib this size.

- | | |
|-----------------------|-------------------------|
| 1. Extensions (3) | 1. Eye Bolts (3) |
| 1. Front Section | 1. Shackles (3) |
| 1. Tapered Plugs (10) | 1. Turn Buckle |
| 1. Side Cables (2) | 1. Strut Cable |
| 1. Pulley Cable | 1. Cable Stabilizer |
| | 1. Flat Head Screws (2) |

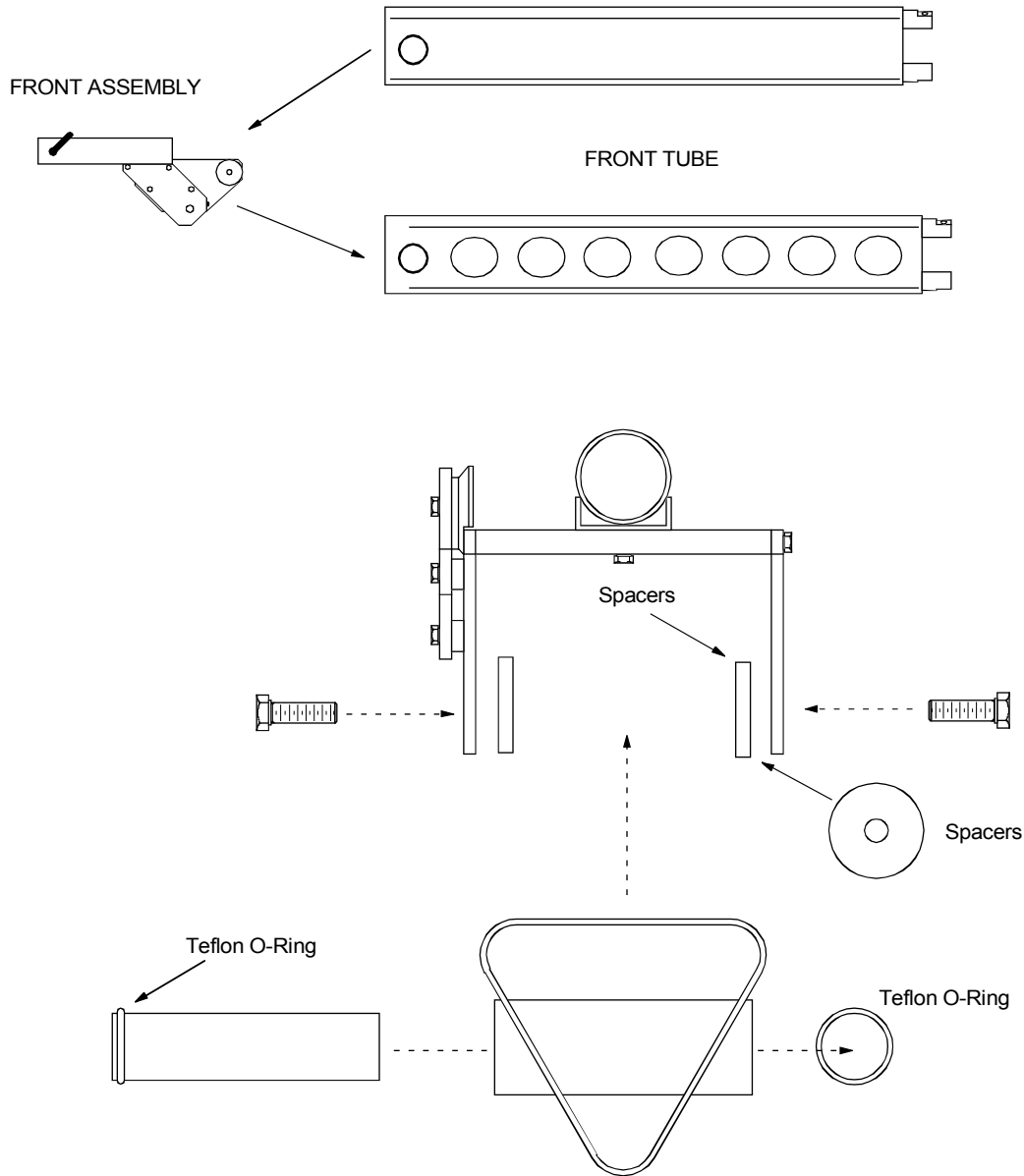


JIB ASSEMBLY

If the 12 Meter is to be used with a dolly then it must be installed on the **4 Wheel Dolly**. The 3 Wheel Dolly is not a large enough platform for a jib of this size.

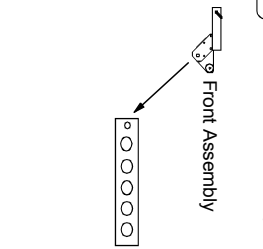
All extensions to the 12 Meter Jib have been lightened with a series of holes. These four lightened tubes must always be used in the last four sections of the 12 Meter Jib.

1. Remove the Front Assembly from the front tube and transfer it to the new lightened front tube.

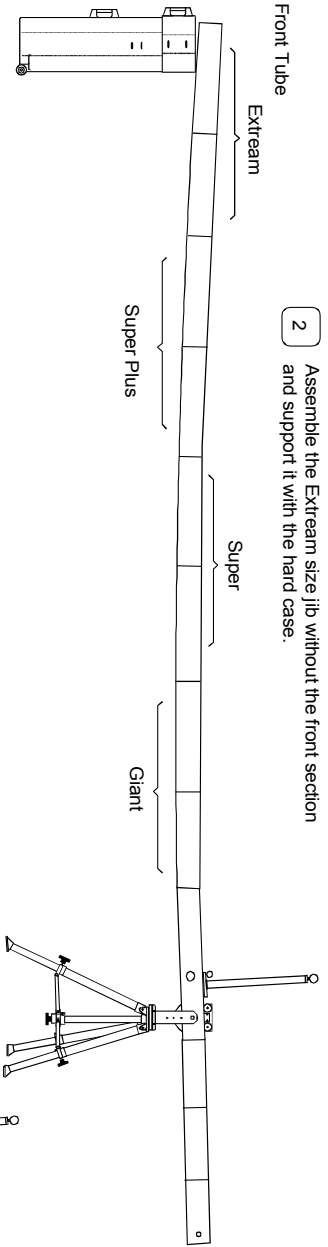


2. Assemble the extreme jib and support it with a hard case. As you add the 12 Meter additions leave the hard case in its position.

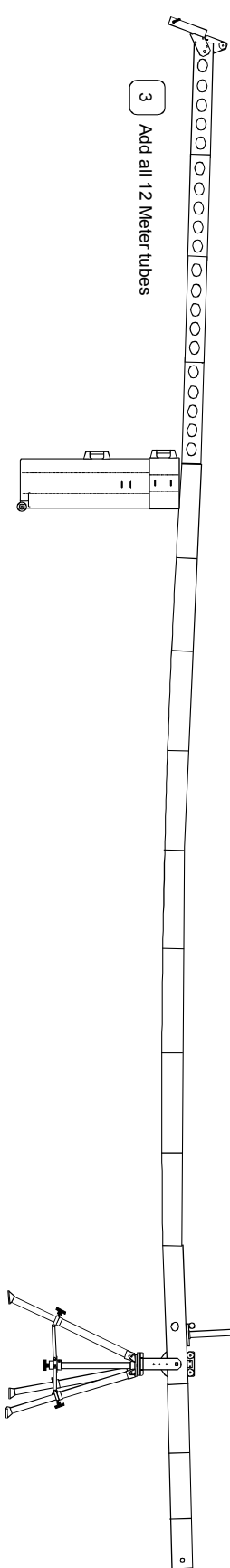
1 Add the Front Assembly to the new Front Tube



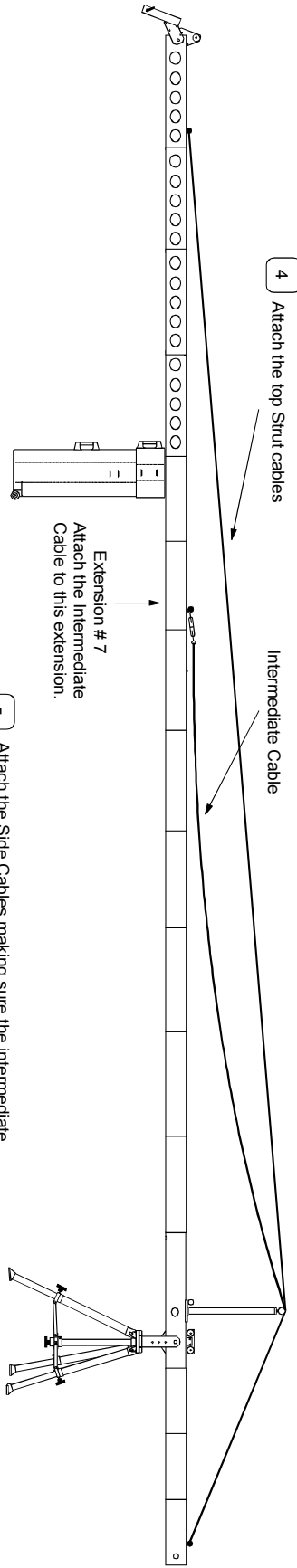
2 Assemble the Extream size jib without the front section and support it with the hard case.



3 Add all 12 Meter tubes

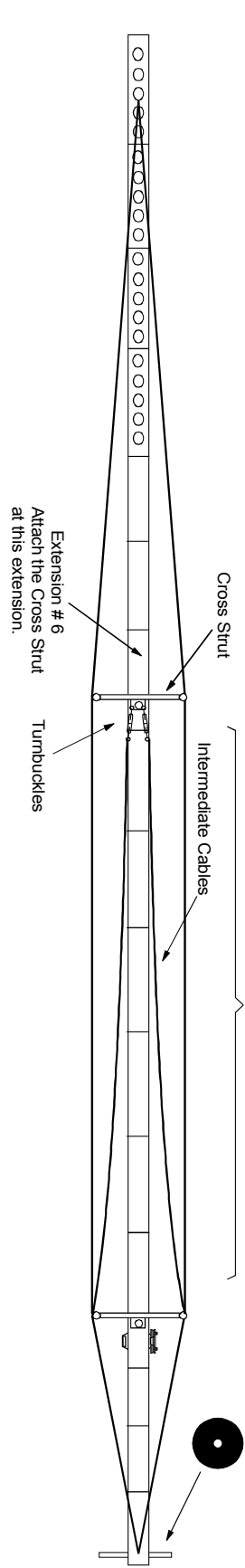


4 Attach the top Strut cables



Extension #7
Attach the Intermediate Cable to this extension.

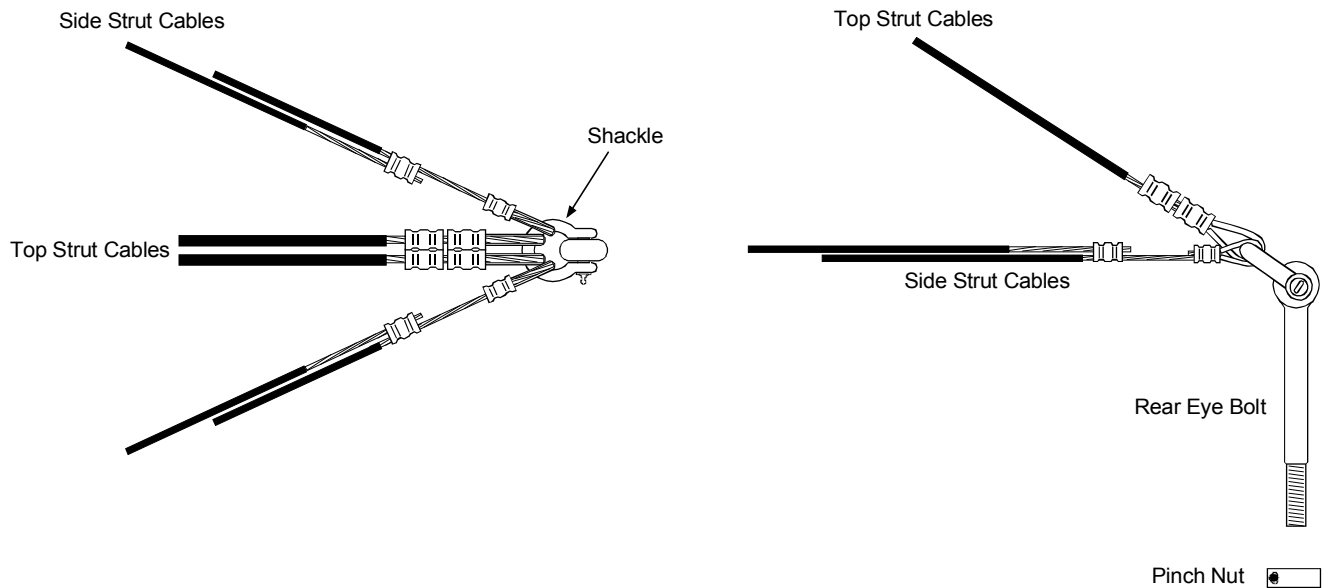
5 Attach the Side Cables making sure the intermediate cables have slack in them. Tension the long cables first then take up the slack on the intermediates with the turnbuckles.



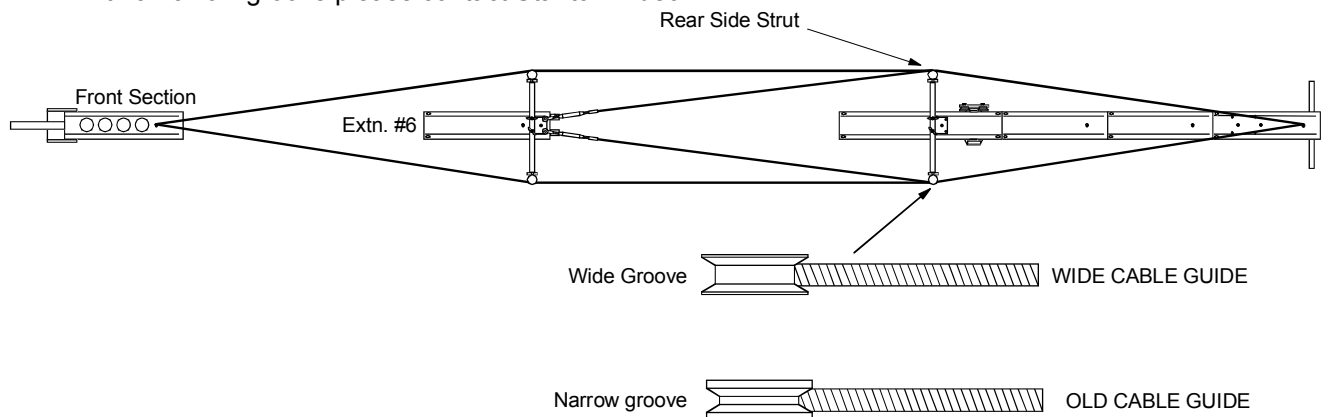
6 Add about 200 lbs counter weight



3. Add all the 12 Meter sections. Do not move the hard case forward as you add sections as the jib will begin to droop placing strain on the bottom connection.
4. Install the top Strut cables leaving slack in the intermediate cable. Wait until counter weight is added before adjusting the cables. Do not add counter weight at this time.
5. Connect the Side Strut Cables. The side cables now contain two cables per side and are attached using a cable eye instead of Carabiner.



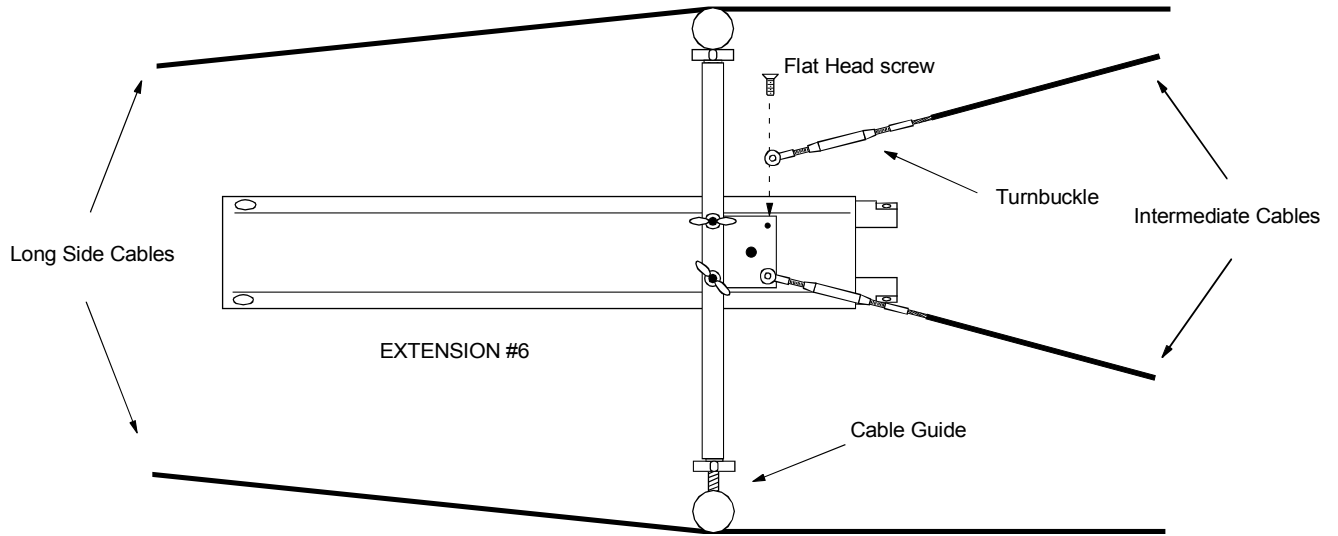
Because two cables pass through them, the rear Cable Guides have a wide groove. If you have the old style with a narrow groove please contact Stanton Video.



6. Before adjusting the cables you must counter weight the jib with at least 200 lbs.

STRUT CABLE ADJUSTMENT

The top cable adjustment is explained in the Super, Super Plus and Extreme manuals. The main thing to remember is to adjust the long cables with the Cable Guides, then the intermediate cables with the turnbuckles.



CABLE STABILIZERS

An additional Cable Stabilizer should be used on the 12 Meter Jib for a total of three stabilizers.

